

Moulding

T-MOULD NATURAL OAK

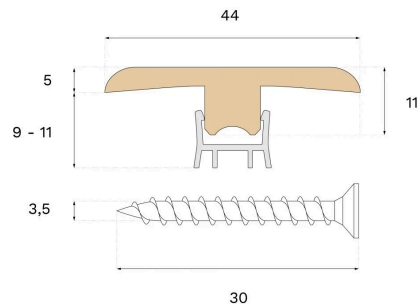


Type of wood
Oak



Staining
Natural

This lacquered T-Mould is crafted from spruce and Natural oak veneer, featuring PEFC certification that ensures responsible forestry. The T-Mould offers an attractive transition, concealing joints between floor surfaces.



Specification

GENERAL

Type of wood	Oak
Staining	Natural
Surface finishing	Lacquer

DIMENSIONS

Length	2400 mm
--------	---------

MISC.

Core material	Spruce
Height	10 mm
Depth	44 mm
Origin	Italy
Compatible versions	Woodura Planks 3.0 Pro Matte Lacquer

