

Moulding

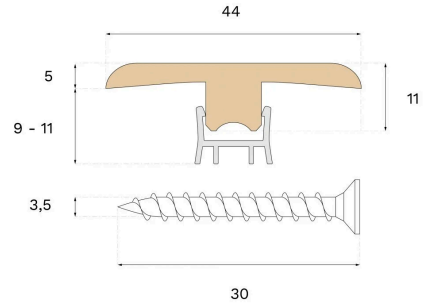


PEFC

PEFC

T PEFC

Technical drawing label



Properties

Core material	Spruce
Thickness	10 mm
Finish	Lacquer
Length	2400 mm

MISC.

Core material	Spruce
Thickness	10 mm
Width	44 mm
Finish	
Product	Woodura Planks 3.0 Pro Matte Lacquer

