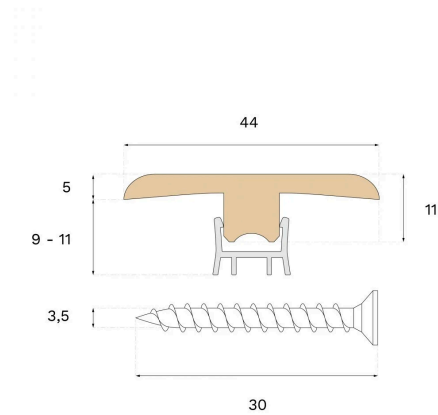


Moulding

T-MOULD NATURAL WALNUT 94.5 IN

This smooth T-Mold is crafted from spruce and Natural walnut veneer, featuring PEFC certification that ensures responsible forestry. The T-Mold offers an attractive transition, concealing joints between floor surfaces.



Specification

GENERAL

Type of wood	Walnut veneer
Staining	Natural
Stained to match	Natural Walnut Pro Matt Lacquer
Surface finishing	Smooth
Compatible with	Woodura Planks 3.0

DIMENSIONS

Length (ISO 24337)	94.5 in
Height	10 mm
Depth	44 mm
Depth (ISO 24337)	1.7 in

MISC.

Core material	HDF/MDF
Origin	Italy
NOBB-nummer	60626496

