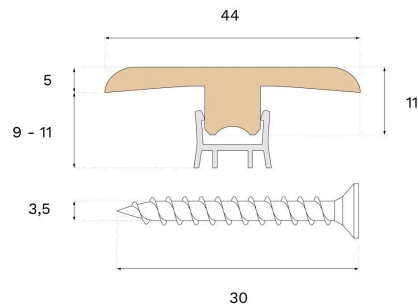


Moulding

T-MOULD HARD SMOKED OAK 2400 MM

This lacquered T-Mould is crafted with Hard Smoked oak veneer. The T-Mould offers an attractive transition, concealing joints between floor surfaces.



Specification

GENERAL

Type of wood	Oak veneer
Staining	Hard Smoked
Stained to match	Hard Smoked
Surface finishing	Lacquer
Compatible with	Woodura Planks 3.0

DIMENSIONS

Length	2400 mm
Height	10 mm
Depth	44 mm
Depth (ISO 24337)	1.7 in

MISC.

Core material	HDF/MDF
Origin	Italy

