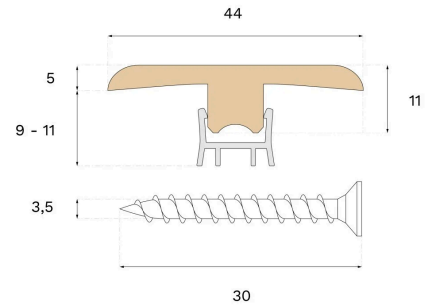


Moulding

T-MOULD HARD SMOKED OAK 94.5 IN

This smoothT-Mold is crafted from spruce and Hard Smoked oak veneer, featuring PEFC certification that ensures responsible forestry. The T-Mold offers an attractive transition, concealing joints between floor surfaces.



Specification

GENERAL

Type of wood	Oak veneer
Staining	Hard Smoked
Stained to match	Hard Smoked
Surface finishing	Smooth
Compatible with	Woodura Planks 3.0

DIMENSIONS

Length (ISO 24337)	94.5 in
Height	10 mm
Depth	44 mm
Depth (ISO 24337)	1.7 in

MISC.

Core material	HDF/MDF
Origin	Italy

