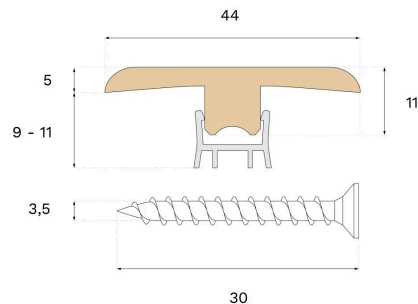


Moulding

T-MOULD POWDER WHITE ASH 2400 MM

This lacquered T-Mould is crafted with Powder White ash veneer. The T-Mould offers an attractive transition, concealing joints between floor surfaces.



Specification

GENERAL

Type of wood	Ash veneer
Staining	Powder White
Stained to match	Powder White Ash Pro Matt Lacquer
Surface finishing	Lacquer
Compatible with	Woodura Planks 3.0 Pro Matt Lacquer

DIMENSIONS

Length	2400 mm
Height	10 mm
Depth	44 mm
Depth (ISO 24337)	1.7 in

MISC.

Core material	HDF/MDF
Origin	Italy

