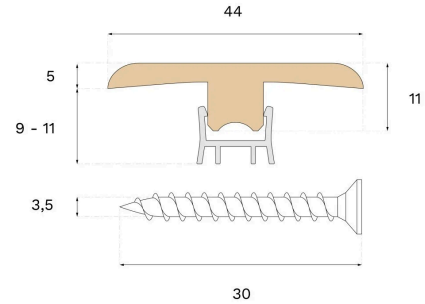


Moulding

T-MOULD POWDER WHITE ASH 94.5 IN

This smoothT-Mold is crafted from spruce and Powder White ash veneer, featuring PEFC certification that ensures responsible forestry. The T-Mold offers an attractive transition, concealing joints between floor surfaces.



Specification

GENERAL

Type of wood	Ash veneer
Staining	Powder White
Stained to match	Powder White Ash Pro Matt Lacquer
Surface finishing	Smooth
Compatible with	Woodura Planks 3.0 Pro Matt Lacquer

DIMENSIONS

Length (ISO 24337)	94.5 in
Height	10 mm
Depth	44 mm
Depth (ISO 24337)	1.7 in

MISC.

Core material	HDF/MDF
Origin	Italy

