

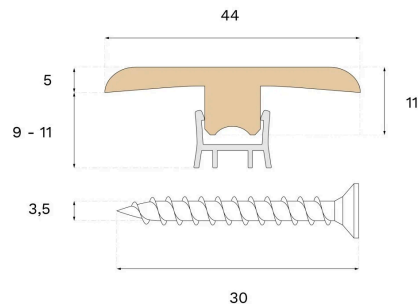
Moulding

T-MOULD EARTH GREY ASH 94.5 IN



Type of wood
Ash

This smooth T-Mold is crafted from spruce and Earth Grey ash veneer, featuring PEFC certification that ensures responsible forestry. The T-Mold offers an attractive transition, concealing joints between floor surfaces.



Specification

GENERAL

| | |
|-------------------|--------------------|
| Type of wood | Ash |
| Staining | Earth Grey |
| Surface finishing | Smooth |
| Compatible with | Woodura Planks 3.0 |

DIMENSIONS

| | |
|--------------------|---------|
| Length (ISO 24337) | 94.5 in |
| Height | 10 mm |
| Depth | 44 mm |
| Depth (ISO 24337) | 1.7 in |

MISC.

| | |
|---------------|---------|
| Core material | HDF/MDF |
| Origin | Italy |

