

Moulding

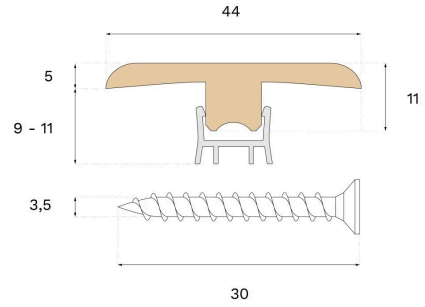
// T // // IVORY



PEFC

IVORY

T PEFC Contrast Ivory



TABLE

Core material	Spruce
Thickness	10 mm
Width	44 mm
Length	2400 mm
Finish	Lacquer

MISC.

Core material	Spruce
Thickness	10 mm
Width	44 mm
Length	2400 mm
Finish	Lacquer

