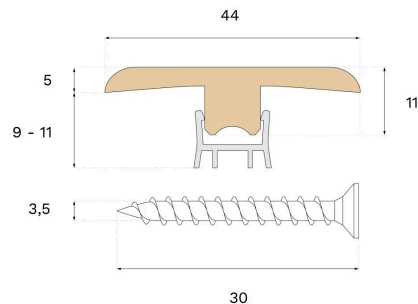


Moulding

T-MOULD DESERT OAK 94.5 IN

PEFC certification that ensures responsible forestry. The T-Mold offers an attractive transition, concealing joints between floor surfaces.



Specification

GENERAL

Type of wood	Oak veneer
Staining	Contrast Desert
Stained to match	Desert
Surface finishing	Smooth
Compatible with	Woodura Planks 3.0

DIMENSIONS

Length (ISO 24337)	94.5 in
Height	10 mm
Depth	44 mm
Depth (ISO 24337)	1.7 in

MISC.

Core material	HDF/MDF
Origin	Italy

