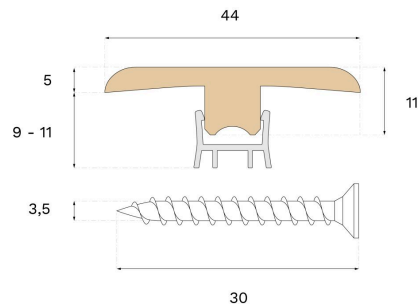


Moulding

T-MOULD HONEY OAK 2400 MM

This lacquered T-Mould is crafted with Honey oak veneer. The T-Mould offers an attractive transition, concealing joints between floor surfaces.



Specification

GENERAL

Type of wood	Oak veneer
Staining	Honey
Stained to match	Honey
Surface finishing	Lacquer
Compatible with	Woodura Planks 3.0

DIMENSIONS

Length	2400 mm
Height	10 mm
Depth	44 mm
Depth (ISO 24337)	1.7 in

MISC.

Core material	HDF/MDF
Origin	Italy

