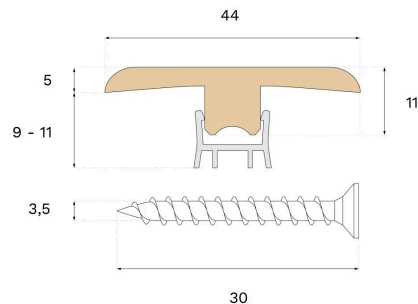


Moulding

T-MOULD HONEY OAK 94.5 IN

This smooth T-Mold is crafted from spruce and Honey oak veneer, featuring PEFC certification that ensures responsible forestry. The T-Mold offers an attractive transition, concealing joints between floor surfaces.



Specification

GENERAL

Type of wood	Oak veneer
Staining	Honey
Stained to match	Honey
Surface finishing	Smooth
Compatible with	Woodura Planks 3.0

DIMENSIONS

Length (ISO 24337)	94.5 in
Height	10 mm
Depth	44 mm
Depth (ISO 24337)	1.7 in

MISC.

Core material	HDF/MDF
Origin	Italy

